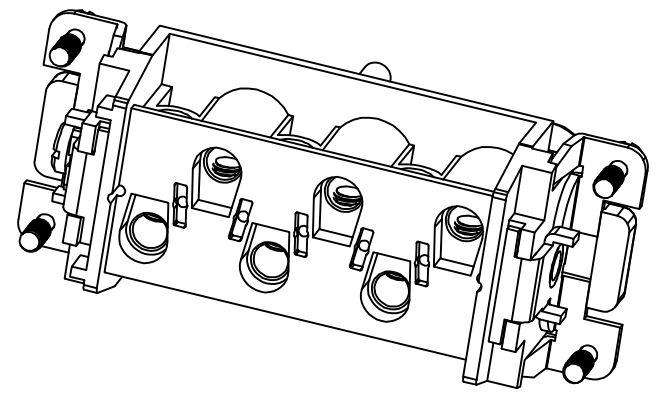
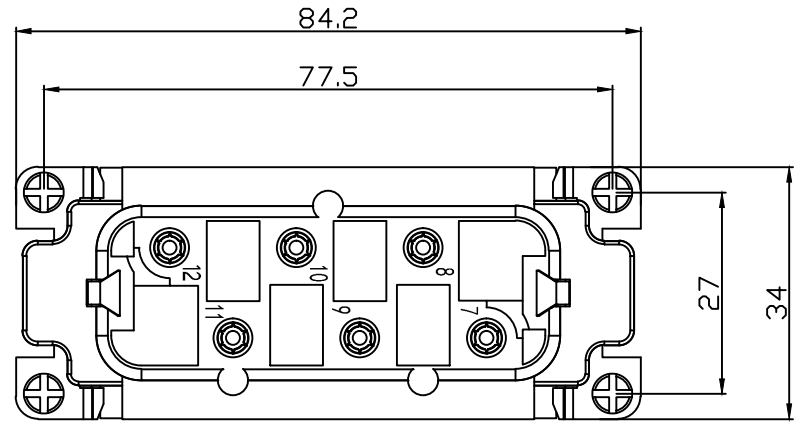
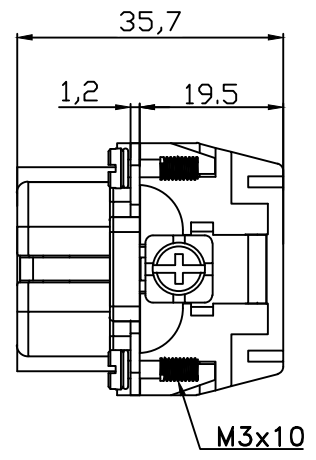


REVISION RECORD				
REV	ECN	DESCRIPTION	DRFT	DATE



DETACHED LISTS	PART NO:	浙江昊科电气有限公司 ZHEJIANG HAOKE ELECTRICAL CO., LTD			
	APPD:	NAME: HSB-006-F (7-12)			
	CHKD:	TITLE: ASSEMBLY DRAWING			
	DRFT:	DRAWING NO: HSB-006-F (7-12)		REV	HK-1
	THIRD ANGLE PROJECTION		MM (INCH)	DO NOT SCALE DRAWING	SHEET
		SCALE	1:1		