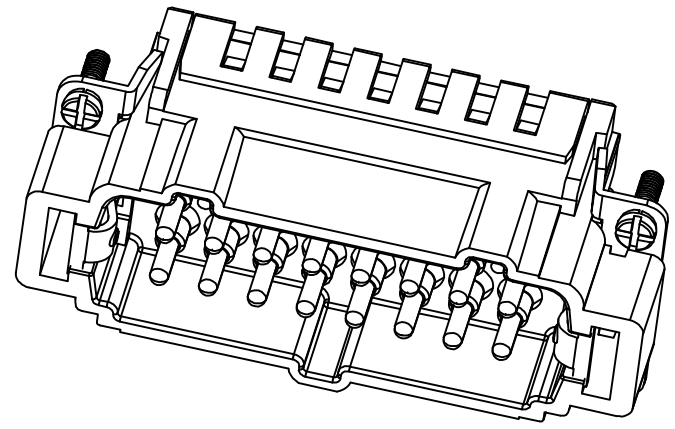
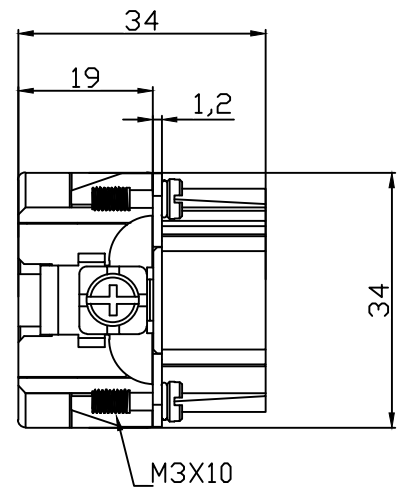
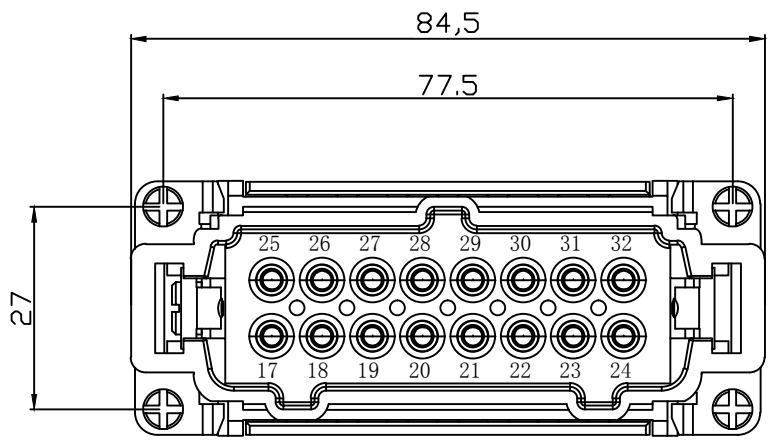


| REVISION RECORD | | | | |
|-----------------|-----|-------------|------|------|
| REV | ECN | DESCRIPTION | DRFT | DATE |



| | | | | | |
|----------------|----------------------------|--|----------------------|------------|------------|
| DETACHED LISTS | PART NO: | ZJK 浙江昊科电气有限公司 ZHEJIANG HAOKE ELECTRICAL CO.,LTD | | | |
| | APPD: | NAME: HE-016-MS (17-32) | | | |
| | CHKD: | TITLE: ASSEMBLY DRAWING | | | |
| | DRFT: QWF | DRAWING NO: HE-016-MS (17-32) | | REV: HK-1 | SHEET: 1/1 |
| | THIRD ANGLE PROJECTION | MM (INCH) | DO NOT SCALE DRAWING | SCALE: 1:1 | |