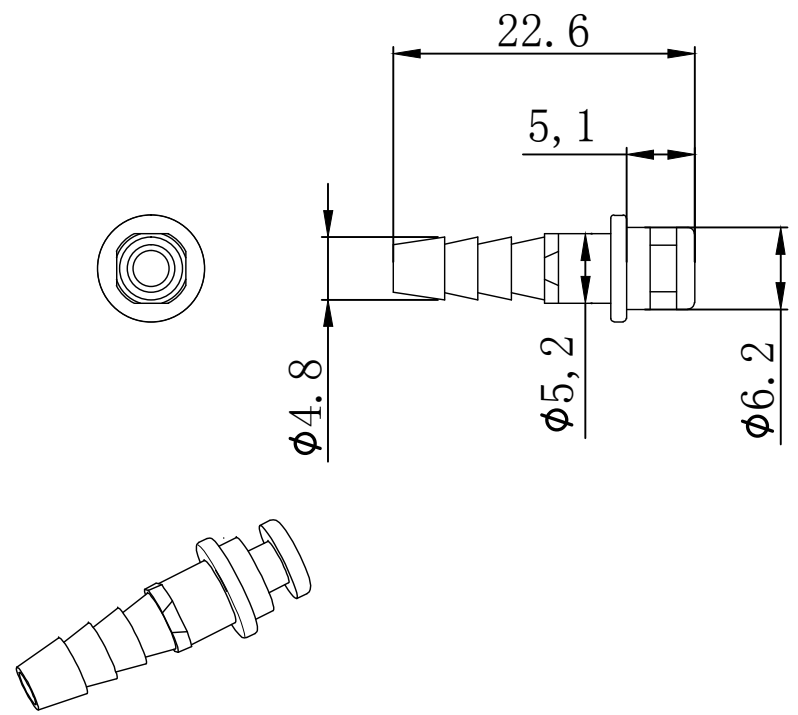

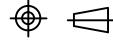



REVISION RECORD				
REV	ECN	DESCRIPTION	DRFT	DATE



用于软管内径 (ID) 4.0mm

DETACHED LISTS	PART NO:		 浙江昊科电气有限公司 ZHEJIANG HAOKE ELECTRICAL CO.,LTD		
	APPD:		NAME: PCM-4.0		
	CHKD:		TITLE: ASSEMBLY DRAWING		
	DRFT: QWF 2017/11/26		REV	HK-1	
	 THIRD ANGLE PROJECTION		DRAWING NO: PCM-4.0	SHEET	1/1
 MM (INCH)			DO NOT SCALE DRAWING	SCALE	1.25:1