

8

7

6

5

4

3

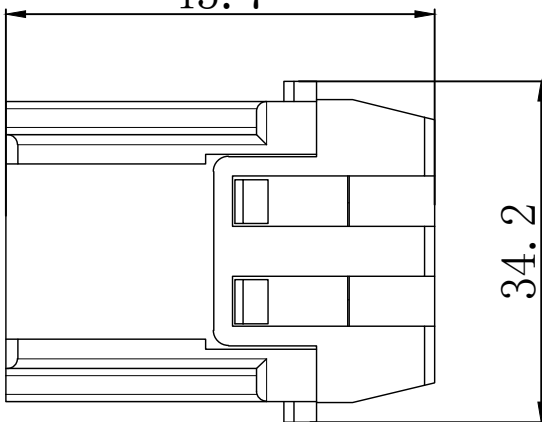
2

1

REVISION RECORD

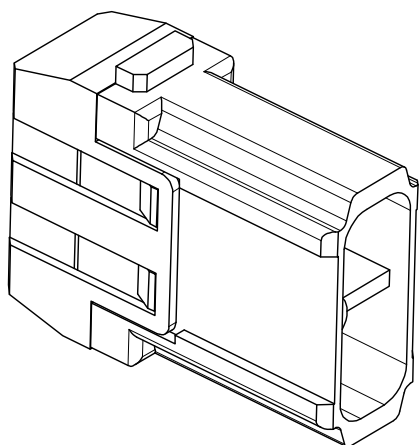
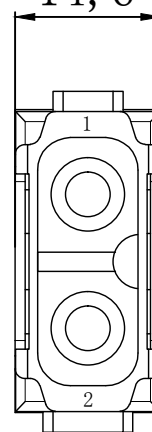
REV	ECN	DESCRIPTION	DRFT	DATE
-----	-----	-------------	------	------


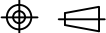

43.7



34.2

14,6



DETACHED LISTS	PART NO:	 浙江昊科电气有限公司 ZHEJIANG HAOKE ELECTRICAL CO.,LTD			
	APPD:	NAME: HMK-002-MC			
	CHKD:				
	DRFT: QWF	TITLE: ASSEMBLY DRAWING	REV	HK-1	
	 THIRD ANGLE PROJECTION	DRAWING NO: HMK-002-MC	SHEET	1/1	
		DO NOT SCALE DRAWING	SCALE	1.5:1	

8

7

6

5

4

3

2

1

H

G

F

E

D

C

B

A

H

G

F

E

D

C

B

A