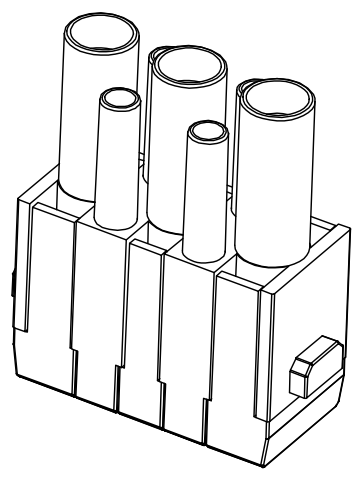
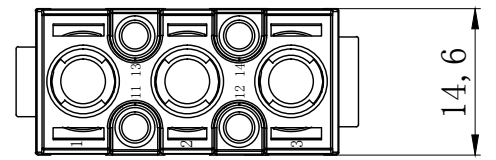
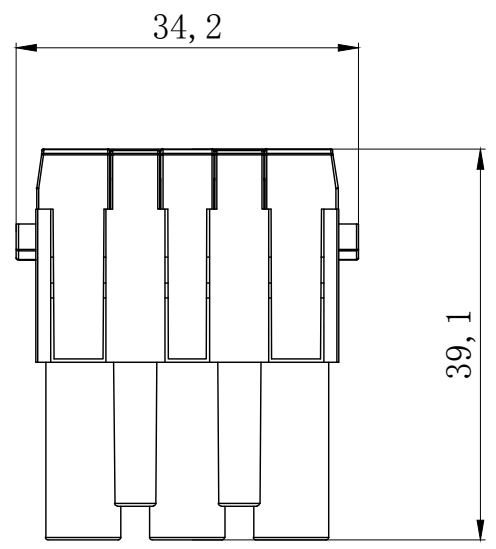

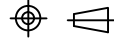



8 7 6 5 4 3 2 1

REVISION RECORD				
REV	ECN	DESCRIPTION	DRFT	DATE



DETACHED LISTS	PART NO:	 浙江昊科电气有限公司 ZHEJIANG HAOKE ELECTRICAL CO.,LTD			
	APPD:	NAME: HMK-003/4-FC			
	CHKD:	TITLE: ASSEMBLY DRAWING			
	DRFT: QWF 2017/10/27	REV	HK-1		
	 THIRD ANGLE PROJECTION	DRAWING NO: HMK-003/4-FC	SHEET	1/1	
	 MM (INCH)	DO NOT SCALE DRAWING	SCALE	1.5:1	

8 7 6 5 4 3 2 1

H
G
F
E
D
C
B
A

H
G
F
E
D
C
B
A