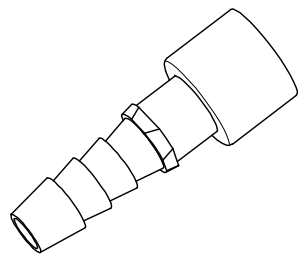
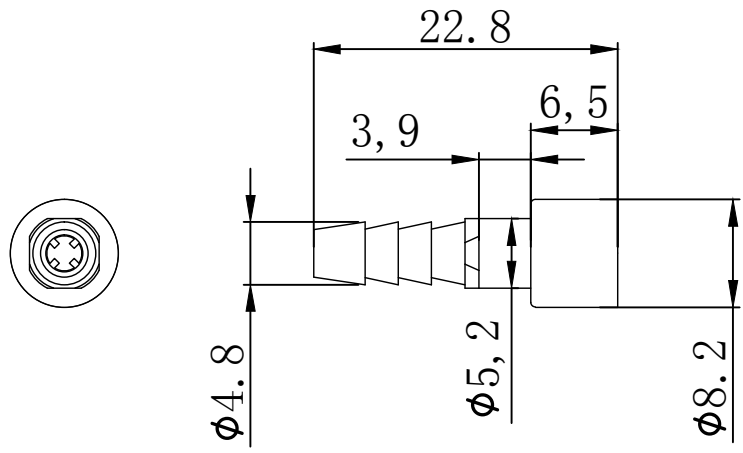

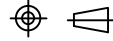



REVISION RECORD				
REV	ECN	DESCRIPTION	DRFT	DATE



用于软管内径 (ID) 4.0mm

DETACHED LISTS	PART NO:	 浙江昊科电气有限公司 ZHEJIANG HAOKE ELECTRICAL CO.,LTD			
	APPD:	NAME: PCF-4.0			
	CHKD:	TITLE: ASSEMBLY DRAWING			
	DRFT: QWF 2017/11/26	REV	HK-1		
	 THIRD ANGLE PROJECTION	DRAWING NO: PCF-4.0	SHEET	1/1	
		DO NOT SCALE DRAWING	SCALE	1.25:1	