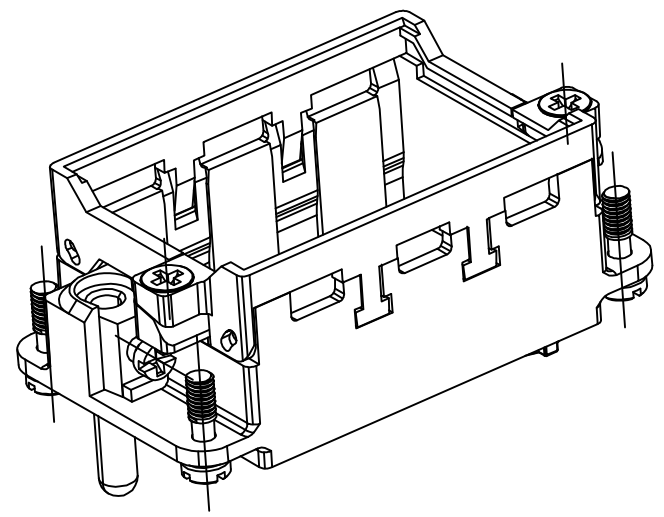
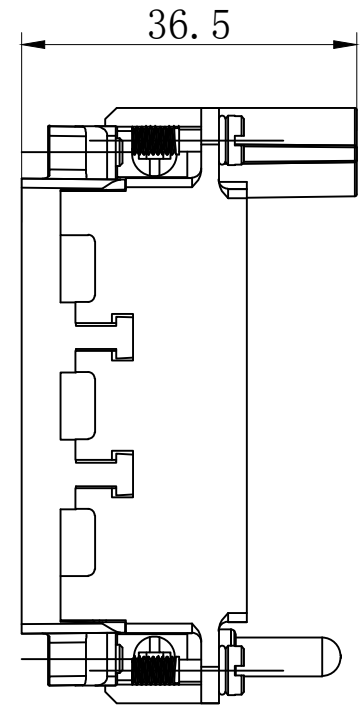
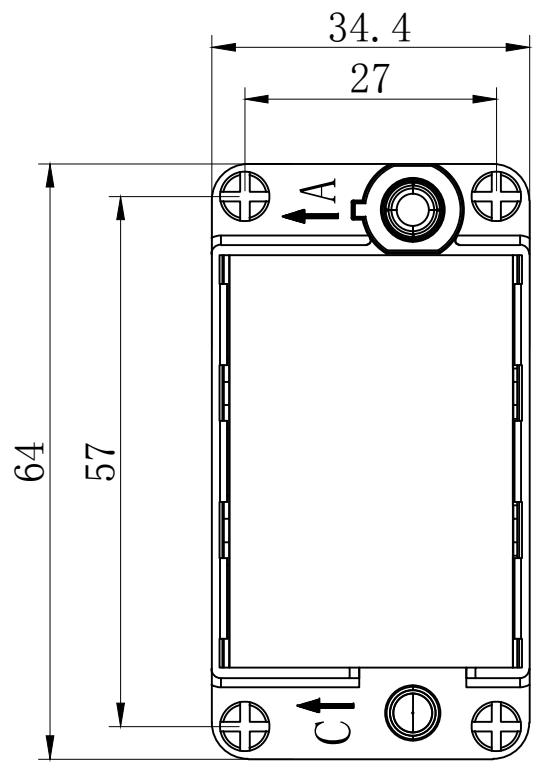

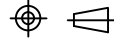



REVISION RECORD				
REV	ECN	DESCRIPTION	DRFT	DATE



DETACHED LISTS	PART NO:	 浙江昊科电气有限公司 ZHEJIANG HAOKE ELECTRICAL CO., LTD			
	APPD:	NAME: HF10B-NUA			
	CHKD:				
	DRFT:	TITLE: ASSEMBLY DRAWING	REV	HK-1	
	 THIRD ANGLE PROJECTION	DRAWING NO: HF10B-NUA	SHEET	1/1	
	 MM (INCH)	DO NOT SCALE DRAWING	SCALE	1.3:1	