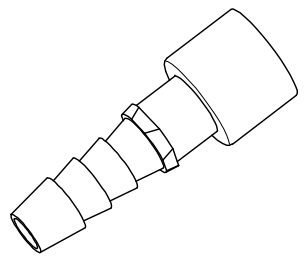
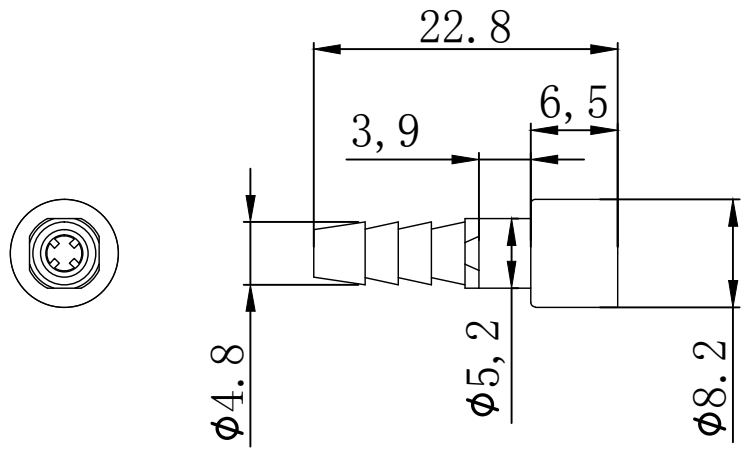


REVISION RECORD				
REV	ECN	DESCRIPTION	DRFT	DATE



用于软管内径 (ID) 4.0mm

DETACHED LISTS	PART NO:	浙江昊科电气有限公司 ZHEJIANG HAOKE ELECTRICAL CO.,LTD			
	APPD:	NAME: PCFS-4.0			
	CHKD:				
	DRFT: QWF 2017/11/26	TITLE: ASSEMBLY DRAWING		REV	HK-1
	 THIRD ANGLE PROJECTION		DRAWING NO: PCFS-4.0	SHEET	1/1
		 MM (INCH)	DO NOT SCALE DRAWING	SCALE	1.25:1