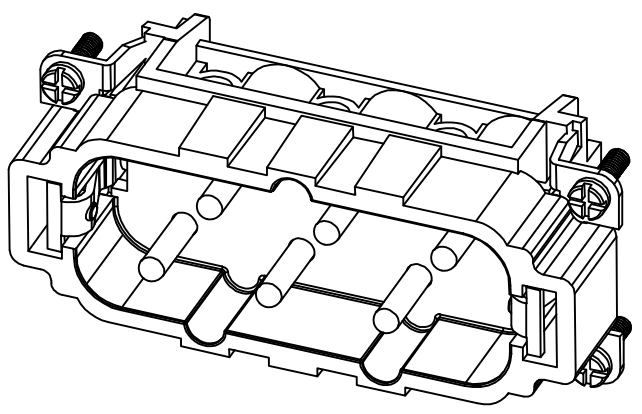
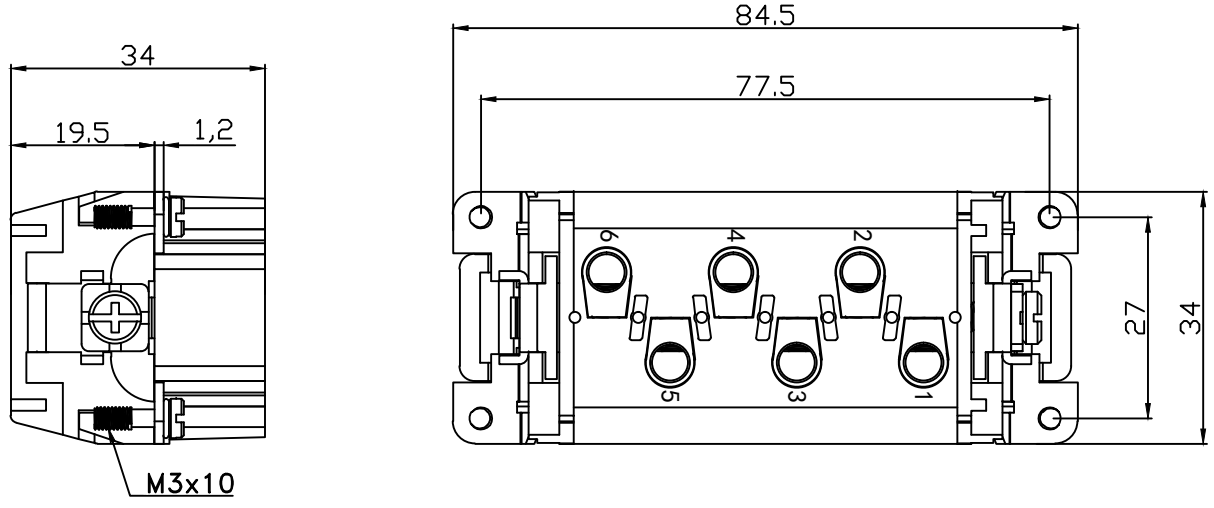


REVISION RECORD				
REV	ECN	DESCRIPTION	DRFT	DATE



DETACHED LISTS	PART NO:	浙江昊科电气有限公司 ZHEJIANG HAOKE ELECTRICAL CO., LTD			
	APPD:	NAME: HSB-006-M			
	CHKD:	TITLE: ASSEMBLY DRAWING		REV	HK-1
	DRFT:	DRAWING NO: HSB-006-M		SHEET	1/1
	 THIRD ANGLE PROJECTION		 MM (INCH)	DO NOT SCALE DRAWING	SCALE