



HE AV 系列 / HE AV SERIES

技术参数 Technical Characteristics

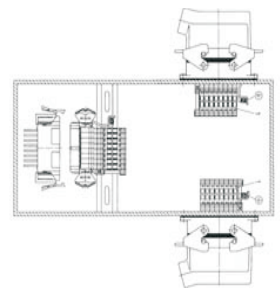
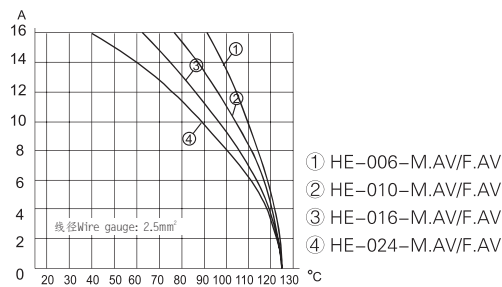
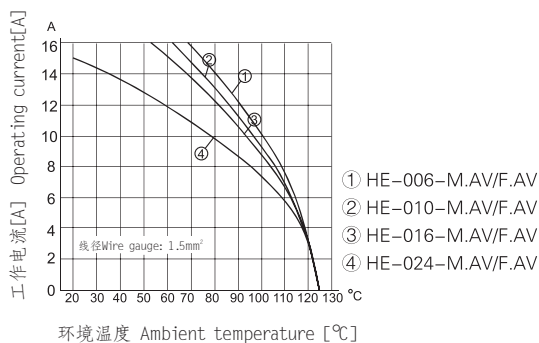
规范	Specifications	
规范	Specifications	DIN EN 60 664
		DIN EN 61 984
插芯	Inserts	
依据 EN 61 984 的额定电压	Electrical Data Acc. To EN 61 984	
接插件针数	Number Of Contacts	6,10,16,24,32(2x16),48(2x24)+PE
额定电流	Rated Current	16A
额定电压	Rated Voltage	500V
额定脉冲电压	Rated Impulse Voltage	6kV
污染程度	Pollution Degree	3
污染等级2时的参数	Pollution Degree 2 Also	16A 400/690V 6kV 2
依据UL/CSA额定电压	Rated Voltage Acc.to UL CSA	600V
绝缘电阻	Insulation Resistance	$\geq 10^{10} \Omega$
材料	Material	聚碳酸酯 Polycarbonate
工作温度范围	Limiting Temperatures	-40℃...+125℃
依据UL94阻燃等级	Flammability Acc. To UL94	V0
可拔插次数	Mechanical Working Life-mating Cycles	≥ 500
插针	Contacts	
材料	Material	铜合金 Copper Alloy
表面处理	Surface	
接合侧		镀银 Hard-Silver Plated
接线侧		镀锡 Tin plated
接触电阻	Contact Resistance	$\leq 4m\Omega$
螺钉连接	Screw Terminal	
mm ²	mm ²	0.2-2.5mm ²
AWG	AWG	24-14
拧紧/检测力矩		0.5Nm
终端角夹		
mm ²	mm ²	0.14-2.5mm ²
AWG	AWG	26-14

电流负载能力 Current Carrying Capacity

电流负载能力所受的限制主要来自包含接插针的接插体可承受的最大温度

The current carrying is limited by maximum temperature of materials for Inserts and contacts including terminals.

测试和控制过程依据 Measuring and testing techniques according to DIN EN 60512-5

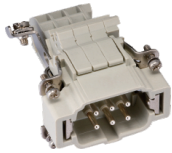


HE AV 伸长型插芯 Extendible Inserts 500V 16A 6+⊕

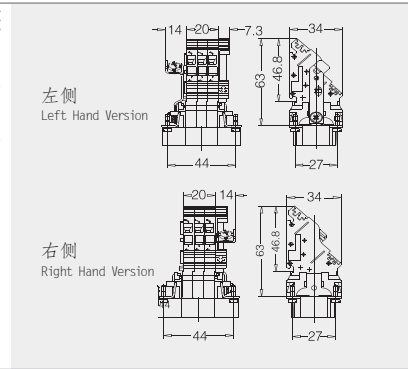
插芯 Inserts

 外壳尺寸：匹配 6 环封底下壳外壳
 Hoods / Housing Dimensions for Ring Seal Bottom Shell Mount

公插芯 螺钉连接 Male Inserts Screw Terminal



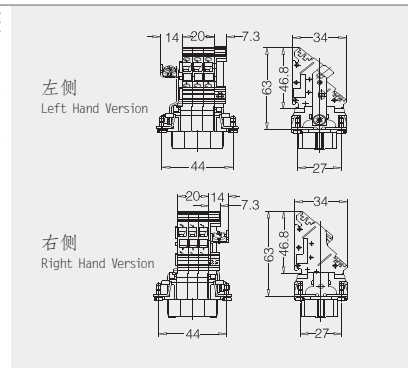
规格 Size	描述 Description	型号 Type	订货号 Part Number
6B	左侧 Left Hand Version	HE-006-M.AV.L	09330064626
6B	右侧 Right Hand Version	HE-006-M.AV.R	09330064636



母插芯 螺钉连接 Female Inserts Screw Terminal



规格 Size	描述 Description	型号 Type	订货号 Part Number
6B	左侧 Left Hand Version	HE-006-F.AV.L	09330064726
6B	右侧 Right Hand Version	HE-006-F.AV.R	09330064736



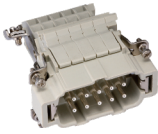


HE AV 伸长型插芯 Extendible Inserts 500V 16A 10+

插芯 Inserts

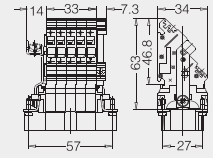
外壳尺寸：匹配 10 不封底下壳
Hoods / Housings for Bulkhead mounting

公插芯 螺钉连接 Male Inserts Screw Terminal

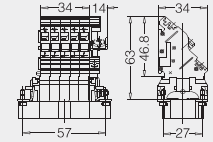


规格 Size	描述 Description	型号 Type	订货号 Part Number
10B	左侧 Left Hand Version	HE-010-M.AV.L	09330104626
10B	右侧 Right Hand Version	HE-010-M.AV.R	09330104636

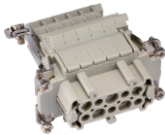
左侧
Left Hand Version



右侧
Right Hand Version

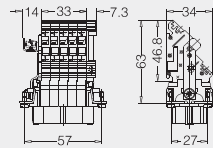


母插芯 螺钉连接 Female Inserts Screw Terminal

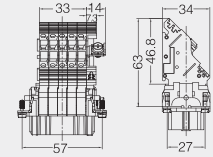


规格 Size	描述 Description	型号 Type	订货号 Part Number
10B	左侧 Left Hand Version	HE-010-F.AV.L	09330104726
10B	右侧 Right Hand Version	HE-010-F.AV.R	09330104736

左侧
Left Hand Version



右侧
Right Hand Version



HE AV 伸长型插芯 Extendible Inserts 500V 16A 16+⊕

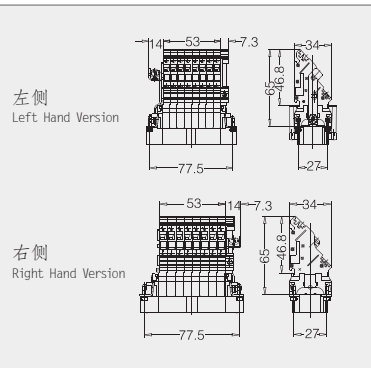
插芯 Inserts

 外壳尺寸：匹配 16 不封底下壳外壳
 Hoods / Housings Match 16 Bulkhead mount

公插芯 螺钉连接 Male Inserts Screw Terminal



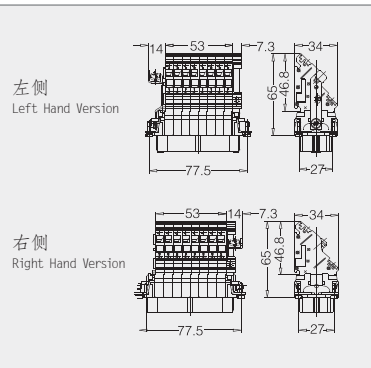
规格 Size	描述 Description	型号 Type	订货号 Part Number
16B	左侧 Left Hand Version	HE-016-M.AV.L	09330164626
16B	右侧 Right Hand Version	HE-016-M.AV.R	09330164636



母插芯 螺钉连接 Female Inserts Screw Terminal



规格 Size	描述 Description	型号 Type	订货号 Part Number
16B	左侧 Left Hand Version	HE-016-F.AV.L	09330164726
16B	右侧 Right Hand Version	HE-016-F.AV.R	09330164736





HE AV 伸长型插芯 Extendible Inserts 500V 16A 24+

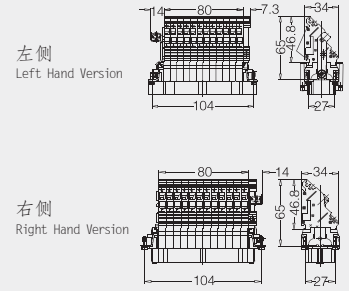
插芯 Inserts

外壳尺寸：匹配 24 芯封底下壳
Hoods / Housings: 24 Core Bulkhead mounting

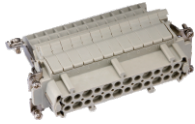
公插芯 螺钉连接 Male Inserts Screw Terminal



规格 Size	描述 Description	型号 Type	订货号 Part Number
24B	左侧 Left Hand Version	HE-024-M.AV.L	09330244626
24B	右侧 Right Hand Version	HE-024-M.AV.R	09330244636



母插芯 螺钉连接 Female Inserts Screw Terminal



规格 Size	描述 Description	型号 Type	订货号 Part Number
24B	左侧 Left Hand Version	HE-024-F.AV.L	09330244726
24B	右侧 Right Hand Version	HE-024-F.AV.R	09330244736

