

8

7

6

5

4

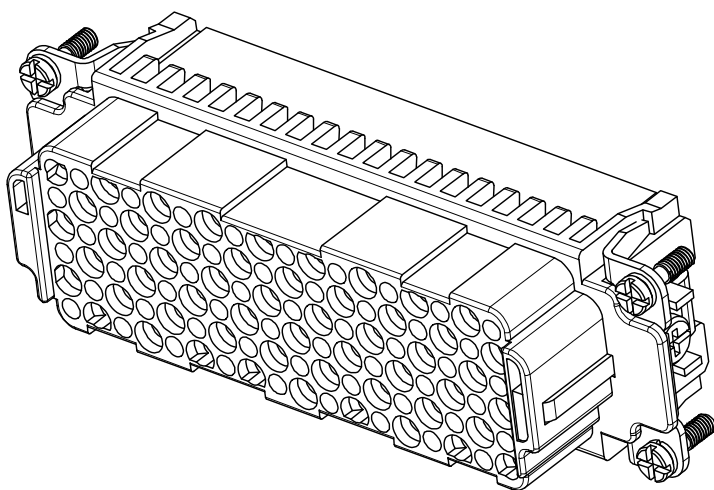
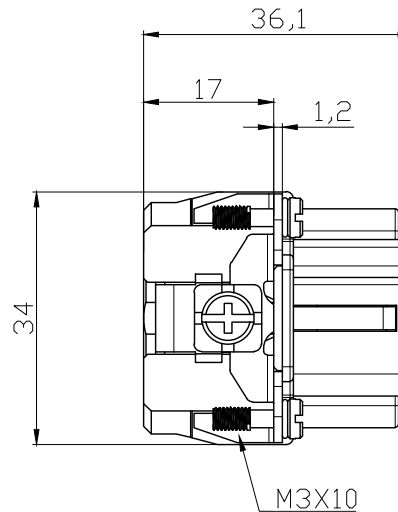
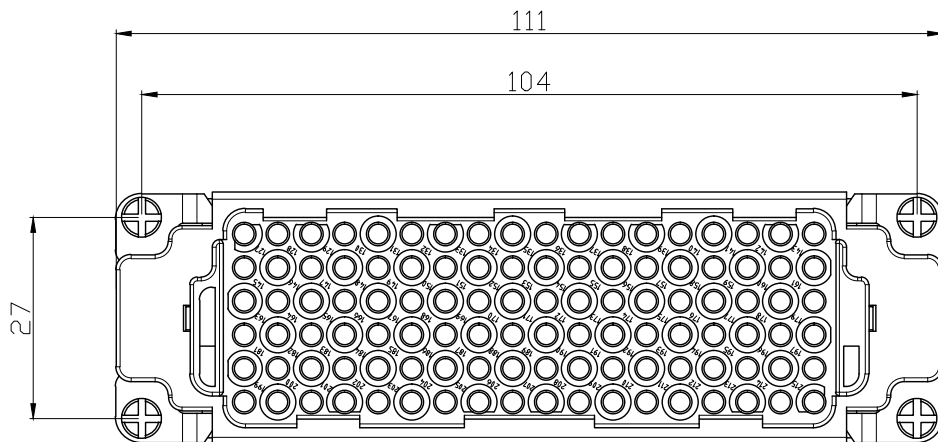
3

2

1

REVISION RECORD

REV	ECN	DESCRIPTION	DRFT	DATE
-----	-----	-------------	------	------



DETACHED LISTS	PART NO:	浙江昊科电气有限公司 ZHEJIANG HAOKE ELECTRICAL CO.,LTD			
	APPD:	NAME: HDD-108-FC (109-216)			
	CHKD:	TITLE: ASSEMBLY DRAWING		REV	HK-1
	DRFT:	DRAWING NO: HDD-108-FC (109-216)		SHEET	1/1
 THIRD ANGLE PROJECTION		 MM (INCH)	DO NOT SCALE DRAWING	SCALE	1:1

8

7

6

5

4

3

2

1

H  
G  
F  
E  
D  
C  
B  
A

H  
G  
F  
E  
D  
C  
B  
A