

8

7

6

5

4

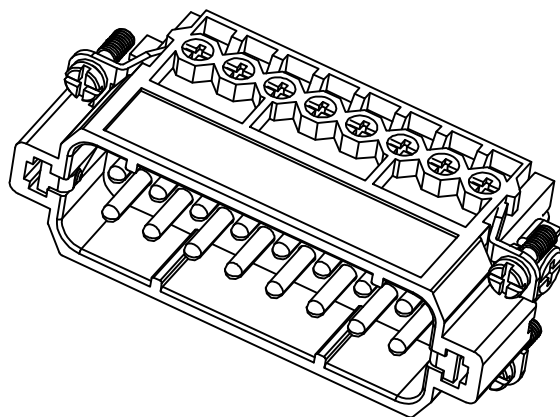
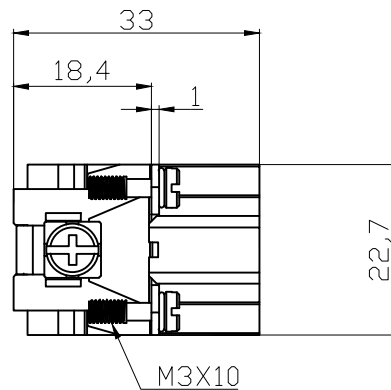
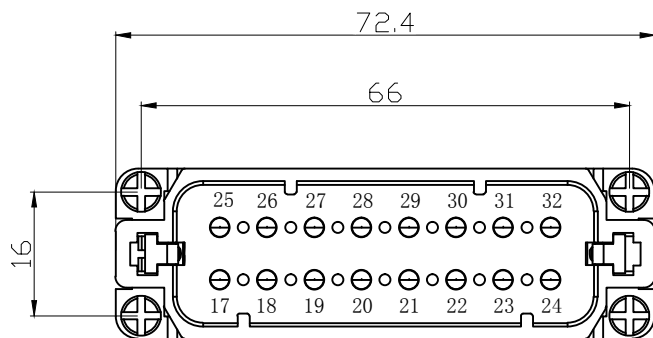
3



2

1

REVISION RECORD

REV	ECN	DESCRIPTION	DRFT	DATE
-----	-----	-------------	------	------



DETACHED LISTS	PART NO:	 浙江昊科电气有限公司 ZHEJIANG HAOKE ELECTRICAL CO.,LTD			
	APPD:				
	CHKD:	TITLE: ASSEMBLY DRAWING		REV	HK-1
	DRFT: QWF 2017/07/13	DRAWING NO: HA-016-M (17-32)		SHEET	1/1
 THIRD ANGLE PROJECTION		 MM (INCH)	DO NOT SCALE DRAWING	SCALE	1:1

8

7

6

5

4

3

2

1

H
G
F
E
D
C
B
A

H
G
F
E
D
C
B
A